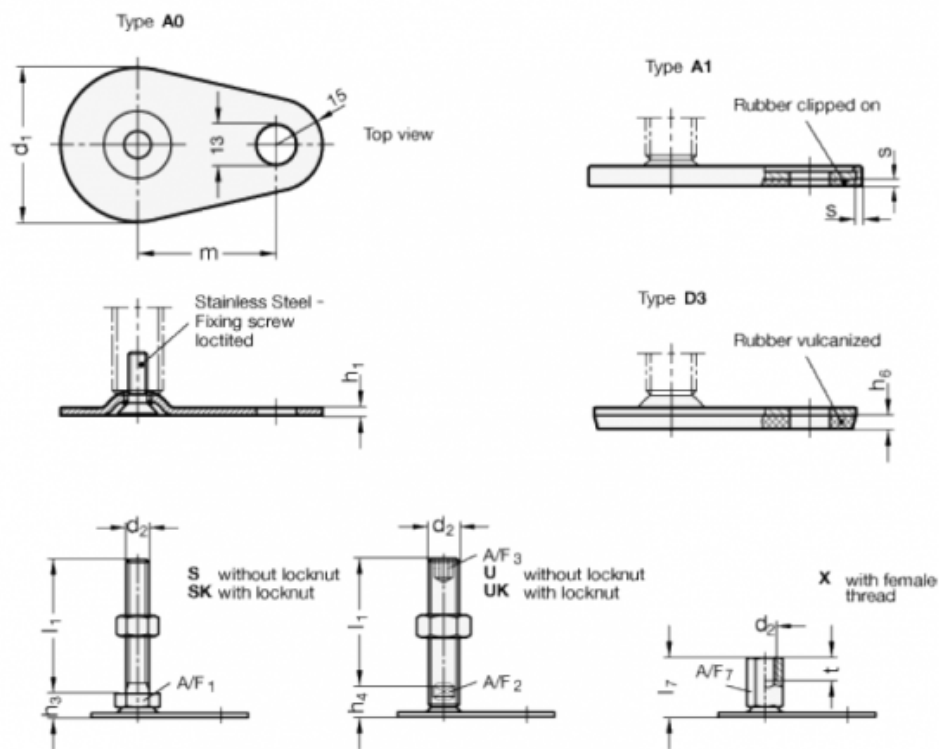


# Data Sheet



Article number: 204260M1232A1X  
 Description: E+G levelling foot  
 GN 42-60-M12-32-A1-X  
 Note: X With female thread, External hexagon

## Measures



A/F7 = 17	t = 12
d1 = 60	
d2 = M12	
h1 = 2.5	
h6 =	
l7 = 32	
m = 50	
s = 2	